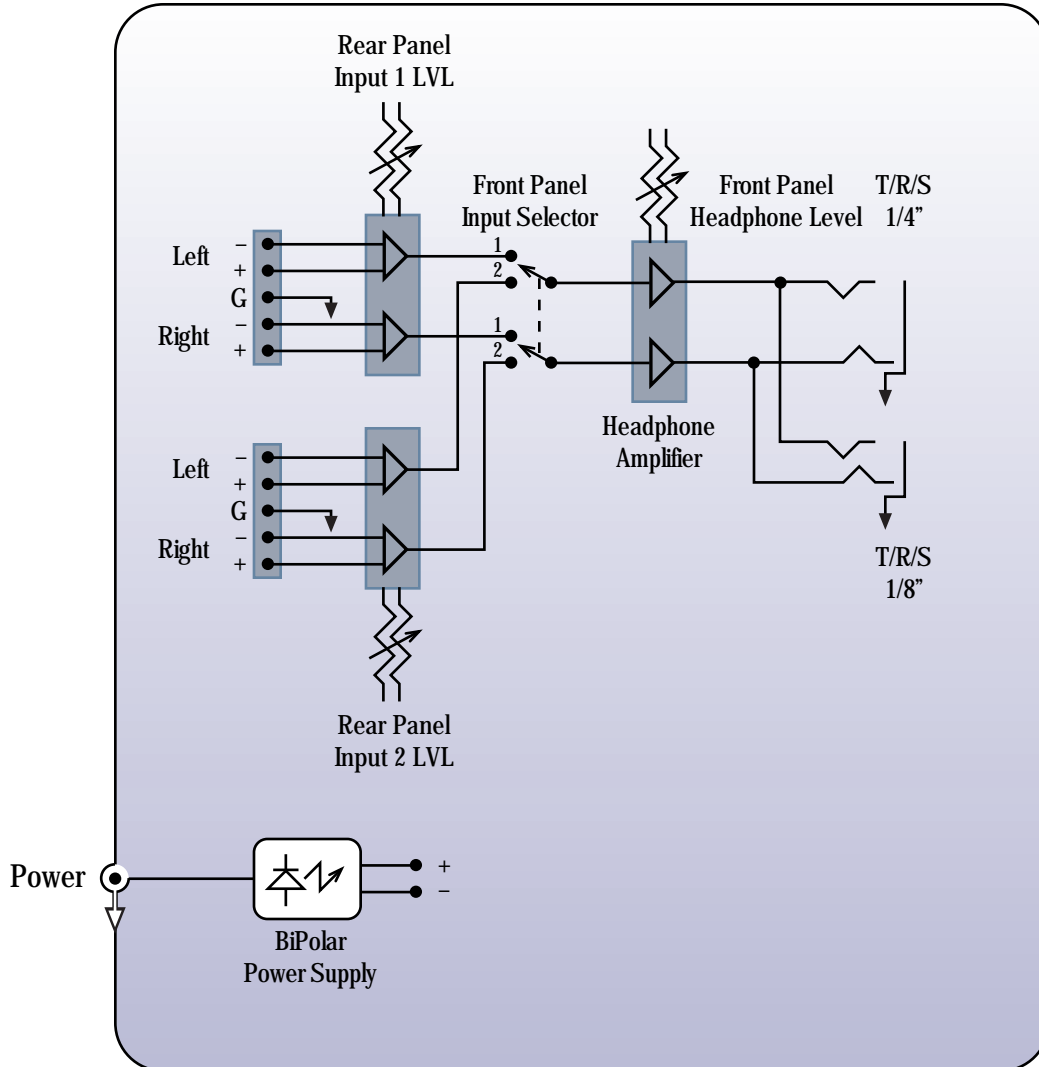


## Functional Diagram



**Available: April 2008**