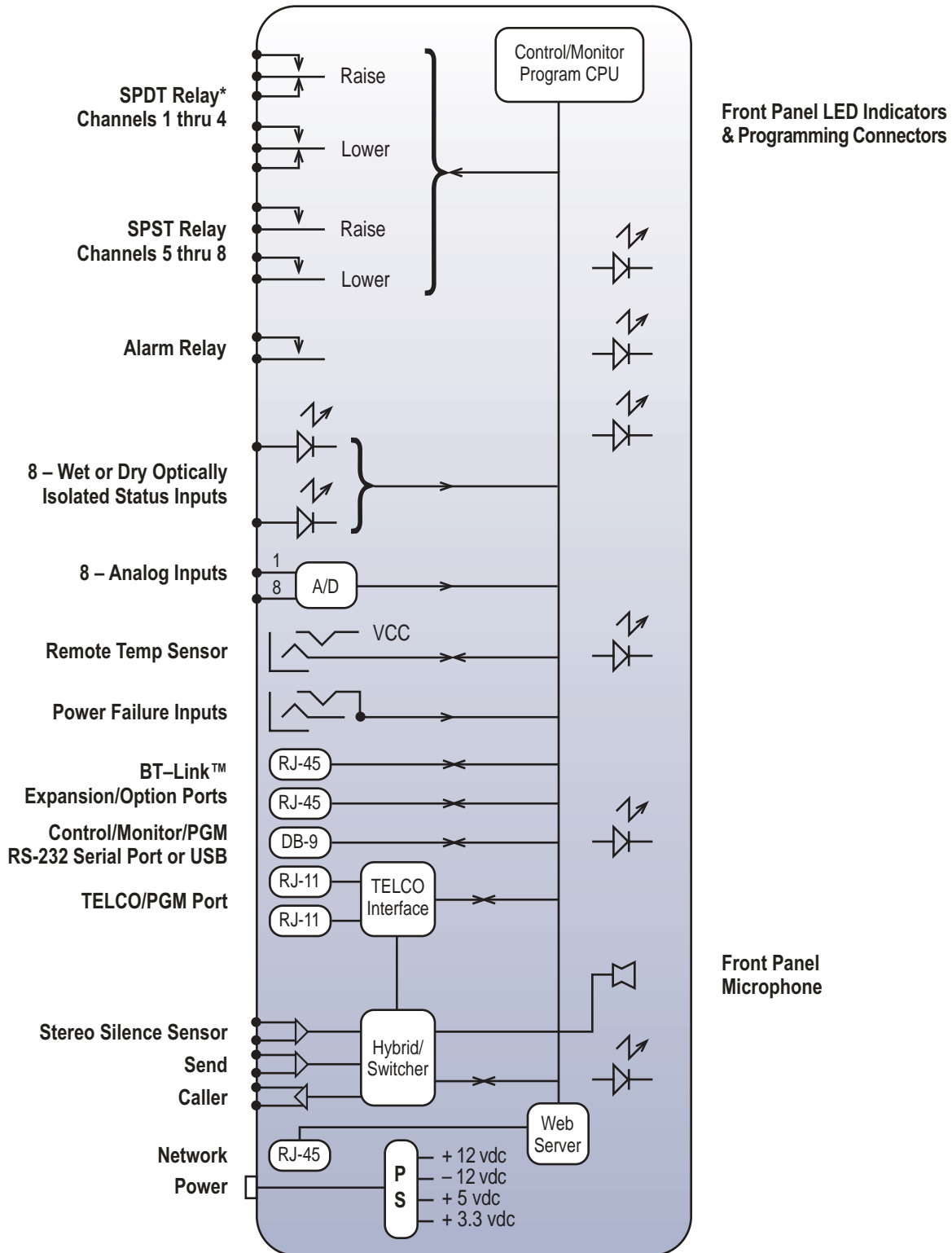


Functional Diagram



* Rev G and above