

BROADCAST[®]
t o o l s **INC**
PROBLEM SOLVED

Installation and Operation Manual



2x10 DA
Stereo Distribution Amplifier

Manual update: 02/01/2012

No part of this document may be reproduced or distributed without permission.
ALL SPECIFICATIONS AND FEATURES FOR THIS PRODUCT ARE SUBJECT TO
CHANGE WITHOUT NOTICE

Due to the dynamic nature of product design, the information contained in this document is subject to change without notice. Broadcast Tools, Inc., assumes no responsibility for errors and/or omissions contained in this document. Revisions of this information or new editions may be issued to incorporate such changes.

*Broadcast Tools[®] is a registered trademark of Broadcast Tools, Inc.
tiny TOOLS[™] is a trademark of Broadcast Tools, Inc.
All Sentinel[®] labeled products are registered trademarks of Broadcast Tools, Inc.
Copyright[®] 1989 - 2012 by Broadcast Tools, Inc. All rights reserved.
No part of this document may be reproduced or distributed without permission.*

Visit www.broadcasttools.com for important product update information.

INTRODUCTION

Thank you for your purchase of the 2 x 10 DA Stereo Distribution Amplifier, which we will refer to through out the manual as the 2 x 10 DA. We're confident this product will give you many years of dependable service. This manual is intended to give you all the information needed to install and operate the product.

SAFETY INFORMATION

Only qualified technical personnel should install Broadcast Tools products. Any attempt to install this device by a person who is not technically qualified could result in a hazardous condition to the installer or other personnel or damage Broadcast Tools product or other equipment. Please ensure that proper safety precautions have been taken before installing this device. If you are unfamiliar with this type of equipment, please contact a properly qualified engineer to handle the installation and setup of the Broadcast Tools product.

Broadcast Tools, Inc., is unable to support NON-Broadcast Tools software, hardware or NON-Broadcast Tools computer/hardware/software problems. If you experience these problems, please research your hardware/software instruction manuals or contact the manufacturers technical support department.

WHO TO CONTACT FOR HELP

If you have any questions regarding your product or you need assistance, please contact your distributor from whom you purchased this equipment.

If you would like more information about Broadcast Tools® products, you may reach us at:

Broadcast Tools, Inc.

131 State Street
Sedro-Woolley, WA 98284-1503 USA
Voice: 360.854.9559
Fax: 866.783.1742

Internet Home Page: www.broadcasttools.com
E-mail: support@broadcasttools.com

**THANK YOU FOR CHOOSING
BROADCAST TOOLS® BRAND PRODUCTS!**



CAUTION!

Broadcast Tools® Products, as with any electronic device, can fail without warning. Do not use this product in applications where a life threatening condition could result due to failure.



NOTE:

This manual should be read thoroughly before installation and operation.

WEBSITE:

Visit our web site for product updates and additional information.



PRODUCT DESCRIPTION

The **2 x 10 DA** stereo distribution amplifier is equipped with a stereo line level high Z input, which accepts a balanced or unbalanced source with ten active balanced low Z output amplifiers. Each output amplifier may be paired for stereo or each output pair may be summed for monaural operation without degrading the integrity of the other outputs. Each stereo output amplifier has a front panel recessed level control.

Features: Front panel +/- DC power and stereo audio activity led's, monaural configuration jumpers, removable screw terminals and selectable input gain of -10dbv or +4dbu, eliminating the need for additional level conversion. The 2x10 DA is powered by a surge protected **internal bi-polar 15vdc power supply** affording **superior headroom and high definition audio.** The 2x10 DA may be set on a desktop, mounted on a wall or up to **three** units mounted on the RA-1 mounting shelf.

INSTALLATION

Please examine your 2x10 DA carefully for any damage that may have been sustained during shipping. If any are noted, please notify the shipper immediately and retain the packaging for inspection by the shipper. The package contains the 2x10 DA, 16vAC only @ 600ma wall power transformer, one daisy-chain power cable and this manual.

Installation of the 2 x 10 DA in **high RF environments** should be performed with care. Shielded cable is suggested for all audio connections. All shields should be tied to the "GND" Ground terminals. The station ground should be connected to the chassis ground screw located on the far right side of the 2 x 10 DA as viewed from the rear. It is recommended that all cables connected to the 2 x 10 DA be looped through ferrite cores to suppress RF.

Note: Refer to the Appendix for component layout and fractional schematics.

Input Gain: The internal input gain jumpers JP4-5 set the left channel gain, while JP6-7 set the right channel gain. Follow the silk-screened labels on the PCB for the correct gain settings. The factory default setting is **+4dBu**.

LT/RT Act Led's: The front panel led's indicating left and right input audio activity.

Monaural setting: Each stereo output has a MONO jumper. Follow the silk-screened labels on the PCB. If the jumper is installed, that output will be combined to monaural. Placing a jumper over JP1 converts output one to mono, JP2 output two, JP3 output three, JP8 output four and JP9 addresses output five. The factory setting is **Stereo**. The five stereo outputs operate independently; setting one output pair to MONO, does not degrade the integrity of the other stereo outputs. Each output has a front panel gain adjustment for setting output levels.

Inputs: Connect your audio source to the 2 x 10 DA inputs. The left input is labeled: "INL- INL+" and the right input is labeled: "INR- INR+". For unbalanced inputs, install a jumper between the "-" input and GND. Single (mono) inputs may be fed to all output channels by connecting the left and right inputs in parallel.

Outputs: Connect each left load to the 2 x 10 DA outputs; labeled: "1L-/1L+, 2L-/2L+, 3L-/3L+, 4L-/4L+ and 5L-/5L+". Connect each right load to the 2 x 10 DA outputs; labeled: "1R-/1R+, 2R-/2R+, 3R-/3R+, 4R-/4R+ and 5R-/5R+" For unbalanced loads, use the "+" and GND terminals only.

Do not connect the "-" terminal to ground. Shields should be tied to the "GND" terminals.

WEBSITE:

Visit our web site for product updates and additional information.



OPERATION

Power: Insert the power plug into either of the power jacks on the rear panel and the wall transformer into the proper AC outlet. Verify that the front panel +/- power LED's are illuminated. Two additional 2x10 DA's may be powered by utilizing the supplied daisy-chain cable.

Level Adjustment: Use the stereo front panel level adjustments to set each output for the desired level.

SPECIFICATIONS

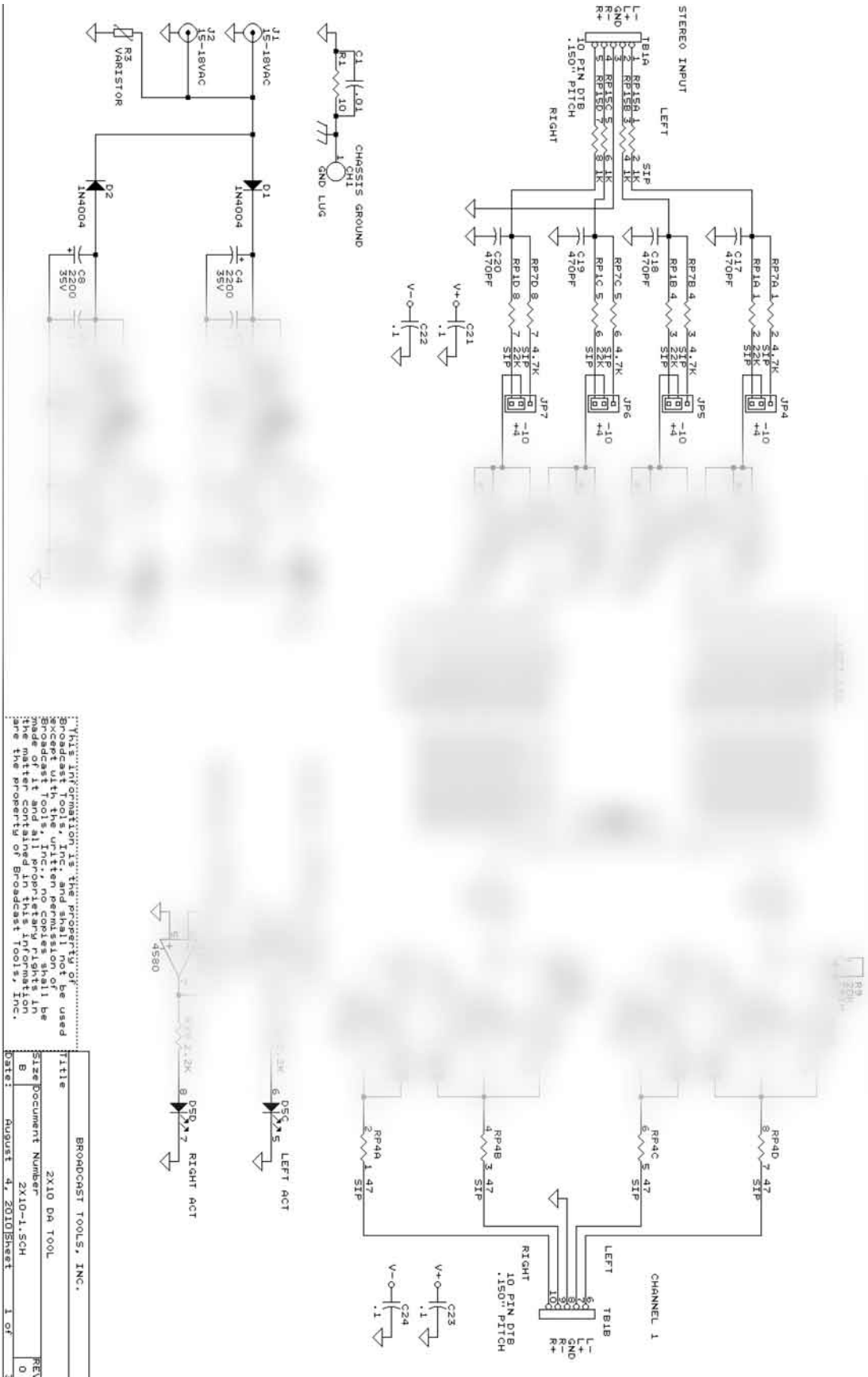
Input Level	-10dBv to +4dBu nominal, MIL: +24dBu.
Input Impedance	20K Ω balanced, 10 K Ω unbalanced.
Output level	+4dBu nominal, MOL: +24dBu @ 600 Ω , balanced.
Output Impedance	100 Ω balanced, 47 Ω unbalanced.
System Gain	20dB
Frequency Response	20 - 20kHz, +/- 0.1dB
Noise	85dB below nominal output.
THD	.005%, 20 - 20kHz.
IMD	.005% (250/7kHz)
Connectors	Audio Inputs/Outputs connections - removable screw Terminals.
Power Requirement	16 vAC only, 600 ma, wall transformer, dual 2.1mm jacks to allow daisy-chaining of two additional 2x10 DA's from one wall transformer. (220 Vac 50-60 Hz CE wall transformer OPTIONAL)
Size:	5.66" x 7.00" x 1.58", Painted aluminum chassis w/ 4 - 4-40 mounting holes.
Weight:	2.0 lb.
Options:	RA-1, Rack shelf, filler panel included. 1 RU.

WEBSITE:

Visit our web site for product updates and additional information.

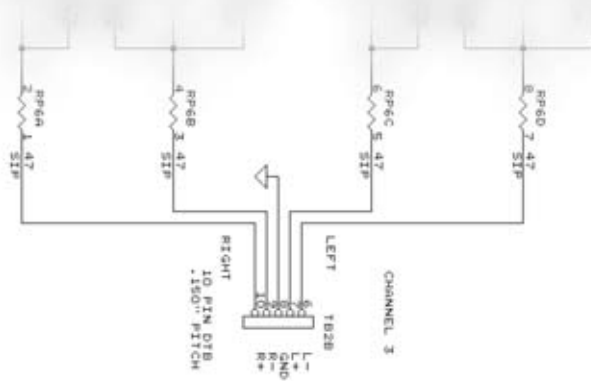
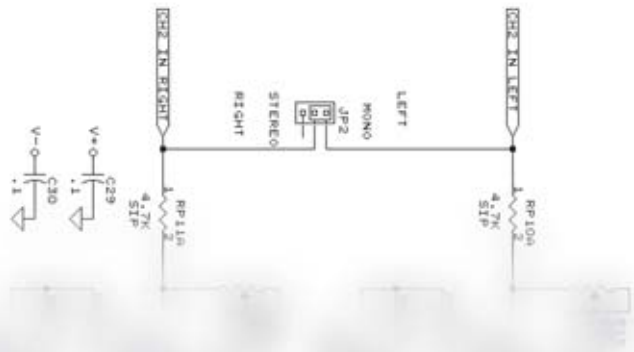


2x10 DA Installation and Operation Manual



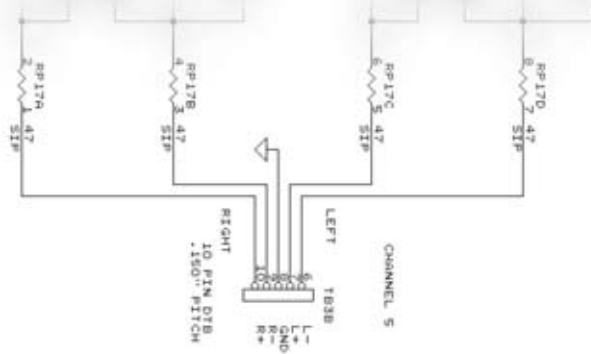
Copyright © 2010 Broadcast Tools, Inc. All rights reserved. No part of this document may be reproduced, stored in a retrieval system, or transmitted, in any form or by any means, electronic, mechanical, photocopying, recording, or by any information storage and retrieval system, without the prior written permission of Broadcast Tools, Inc. No copies shall be made of this document for any other purpose than the one for which it was prepared. The information contained herein is the property of Broadcast Tools, Inc.

Title	BROADCAST TOOLS, INC.
Size	2X10 DA TOOL
Document Number	2X10-1-SCH
REV	0
Date	August 4, 2010
Sheet	1 of 3



THIS DOCUMENT IS THE PROPERTY OF BROADCAST TOOLS, INC. IT IS TO BE USED ONLY FOR THE PURPOSES SPECIFIED HEREIN. NO PART OF THIS DOCUMENT IS TO BE REPRODUCED OR TRANSMITTED IN ANY FORM OR BY ANY MEANS, ELECTRONIC OR MECHANICAL, INCLUDING PHOTOCOPYING, RECORDING, OR BY ANY INFORMATION STORAGE AND RETRIEVAL SYSTEM, WITHOUT THE WRITTEN PERMISSION OF BROADCAST TOOLS, INC. NO COPIES SHALL BE MADE OF THIS DOCUMENT WITHOUT THE WRITTEN PERMISSION OF BROADCAST TOOLS, INC. THE MATTER CONTAINED IN THIS INFORMATION IS THE PROPERTY OF BROADCAST TOOLS, INC.

BROADCAST TOOLS, INC.	
Title	2X10 DA TOOL
State Document Number	2X10-2-SCH
Date	August 4, 2010
Sheet	2 of 2
REV	0

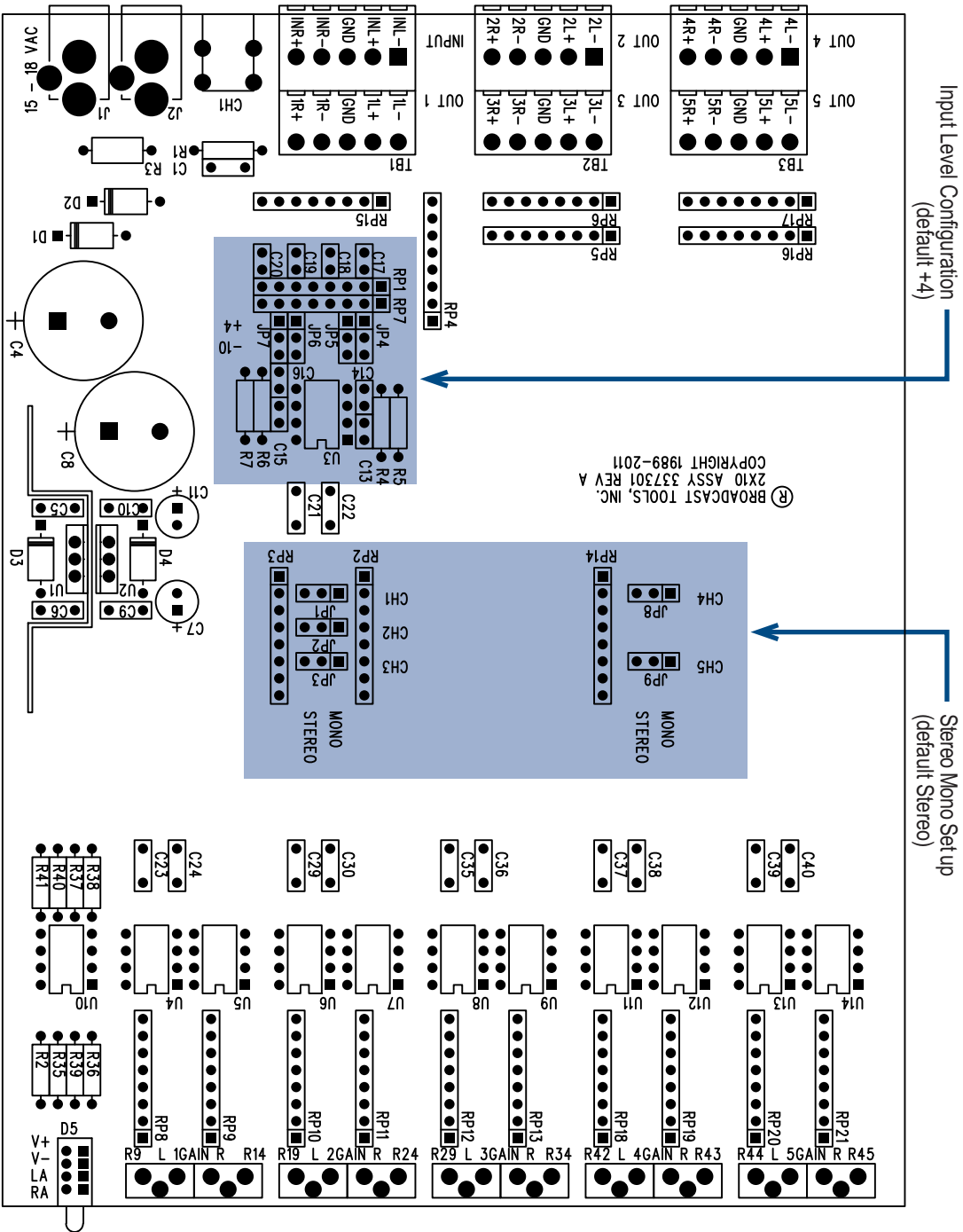


THIS DOCUMENT IS THE PROPERTY OF BROADCAST TOOLS, INC. IT IS TO BE USED ONLY FOR THE PURPOSES SPECIFIED HEREIN. NO PART OF THIS DOCUMENT IS TO BE REPRODUCED OR TRANSMITTED IN ANY FORM OR BY ANY MEANS, ELECTRONIC OR MECHANICAL, INCLUDING PHOTOCOPYING, RECORDING, OR BY ANY INFORMATION STORAGE AND RETRIEVAL SYSTEM, WITHOUT THE WRITTEN PERMISSION OF BROADCAST TOOLS, INC. NO COPIES SHALL BE MADE OF THIS DOCUMENT WITHOUT THE WRITTEN PERMISSION OF BROADCAST TOOLS, INC. THE MATTER CONTAINED IN THIS INFORMATION IS THE PROPERTY OF BROADCAST TOOLS, INC.

BROADCAST TOOLS, INC.	
Title	2X10 DA TOOL
State Document Number	2X10-3-SCH
Date	August 4, 2010
Sheet	3 of 3
REV	0

Broadcast Tools® 2x10 DA

Component Layout



LIMITED WARRANTY

The term "Buyer" as used in this document refers to and includes both (but only) (a) any person or entity who acquires such an item for the purpose of resale to others (i.e., a dealer or distributor of an item), and (b) the first person or entity who acquires such an item for such person's or entity's own use.

Broadcast Tools warrants to each Buyer of any item manufactured by Broadcast Tools that the item will be free from defects in materials and workmanship at the time it is shipped by Broadcast Tools if the item is properly installed, used and maintained.

EXCLUSIVE REMEDIES

If Broadcast Tools is notified, in writing, of a failure of any item manufactured by Broadcast Tools to conform to the foregoing Limited Warranty within one (1) year following the date of the Buyer's acquisition of the item, and if the item is returned to Broadcast Tools in accordance with Broadcast Tools' instructions for confirmation by inspection of the defect (which at Broadcast Tools' election may include, without limitation, a requirement that the Buyer first obtain a Return Authorization number from Broadcast Tools, that the Buyer furnish proof of purchase in the form of an invoice and/or receipt, and that the Buyer prepay all freight charges associated with any return of the item to Broadcast Tools using such freight service as Broadcast Tools reasonably may specify), Broadcast Tools will repair or replace the defective item, or will refund the purchase price paid by the Buyer for the item. Broadcast Tools shall have the exclusive right to choose between these alternative remedies.

NO OTHER WARRANTIES OR REMEDIES

TO THE MAXIMUM EXTENT PERMITTED BY APPLICABLE LAW, BROADCAST TOOLS AND ITS SUPPLIERS DISCLAIM ALL OTHER WARRANTIES, EITHER EXPRESS OR IMPLIED, INCLUDING BUT NOT LIMITED TO IMPLIED WARRANTIES OF MERCHANTABILITY OR FITNESS FOR A PARTICULAR PURPOSE; AND THE FOREGOING ALTERNATIVE REMEDIES SHALL BE EXCLUSIVE OF ALL OTHER REMEDIES. THIS LIMITED WARRANTY GIVES YOU SPECIFIC LEGAL RIGHTS. YOU MAY HAVE OTHER RIGHTS, WHICH VARY FROM STATE/JURISDICTION TO STATE/JURISDICTION.

NO LIABILITY FOR CONSEQUENTIAL DAMAGES

TO THE MAXIMUM EXTENT PERMITTED BY APPLICABLE LAW, NEITHER BROADCAST TOOLS NOR ANY OF ITS SUPPLIERS SHALL HAVE ANY LIABILITY FOR ANY SPECIAL, INCIDENTAL, INDIRECT, CONSEQUENTIAL OR PUNITIVE DAMAGES WHATSOEVER (INCLUDING, WITHOUT LIMITATION, ANY DAMAGES FOR LOST PROFITS, BUSINESS INTERRUPTION, LOSS OF DATA OR INFORMATION, COST OF CAPITAL, CLAIMS OF CUSTOMERS, OR ANY OTHER PECUNIARY LOSS) ARISING OUT OF THE USE OF OR THE INABILITY TO USE ANY ITEM SUPPLIED BY BROADCAST TOOLS, EVEN IF BROADCAST TOOLS HAS BEEN ADVISED OF THE POSSIBILITY OF SUCH DAMAGES HAVE ANY LIABILITY FOR ANY SPECIAL, INCIDENTAL, CONSEQUENTIAL, EXEMPLARY OR PUNITIVE DAMAGES. THIS LIMITATION OF LIABILITY APPLIES WHETHER A CLAIM IS ONE ALLEGING BREACH OF A CONTRACT OR WARRANTY, NEGLIGENCE OR OTHER TORT, FOR THE VIOLATION OF ANY STATUTORY DUTY, THE FAILURE OF ANY LIMITED OR EXCLUSIVE REMEDY TO ACHIEVE ITS ESSENTIAL PURPOSE, OR ANY OTHER CLAIM OF ANY NATURE. BECAUSE SOME STATES AND JURISDICTIONS DO NOT ALLOW THE EXCLUSION OR LIMITATION OF LIABILITY FOR INCIDENTAL OR CONSEQUENTIAL DAMAGES, THIS LIMITATION MAY NOT APPLY TO YOU.

Broadcast Tools, Inc.

131 State Street
Sedro-Woolley, WA 98284 • USA

360.854.9559 **voice** • 866.783.1742 **fax**
support@broadcasttools.com **e-mail**
www.broadcasttools.com **website**